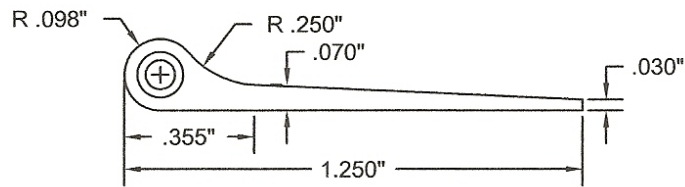
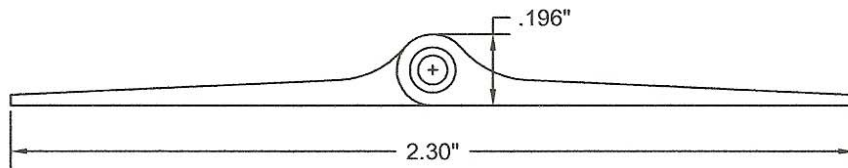


CARBINGE DIMENSIONS



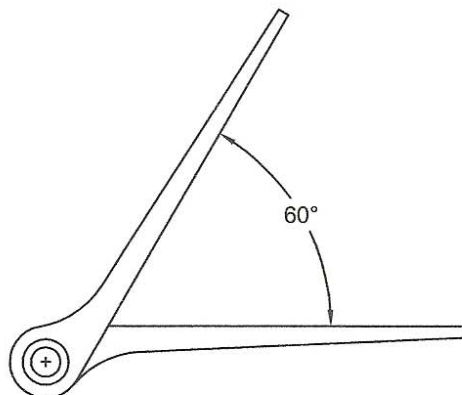
HINGE BLANK DIMENSIONS



OPEN HINGE DIMENSIONS



CLOSED (INSIDE) ANGLE:
0 DEGREES, TYPICAL



CLOSED (OUTSIDE) ANGLE:
60 DEGREES, TYPICAL